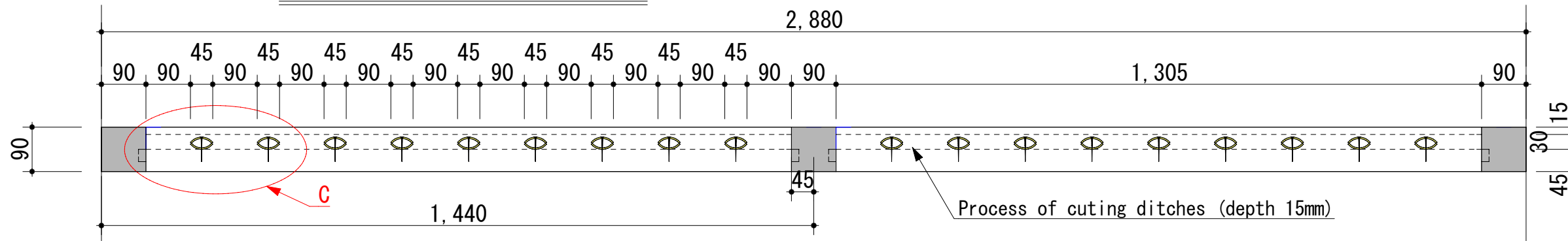
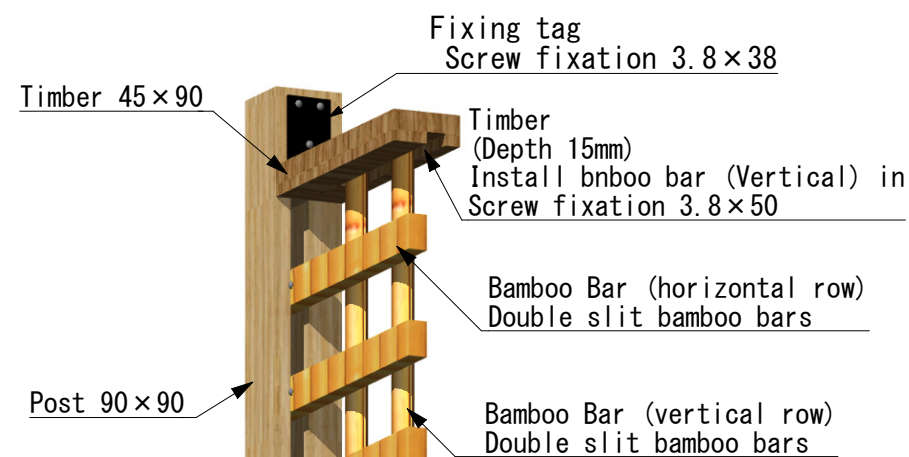


Section A—A Scale: 1/10

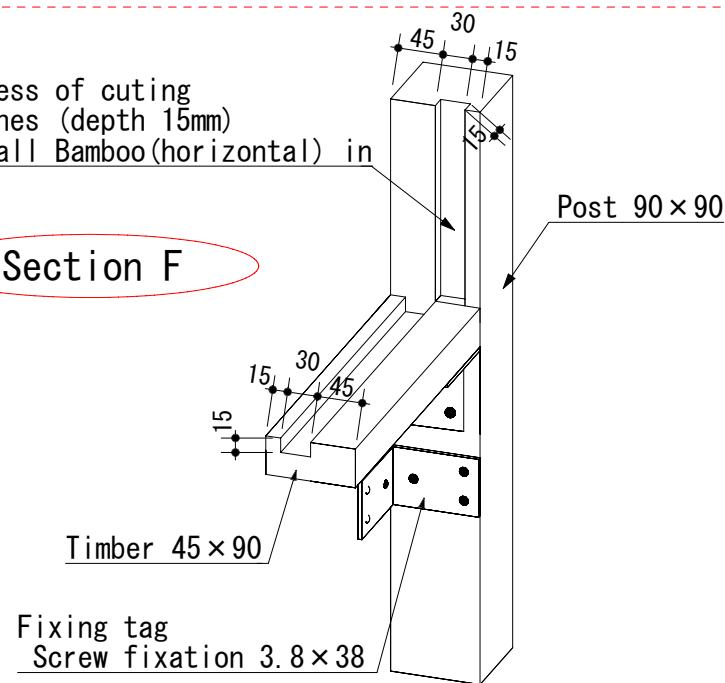


Section C

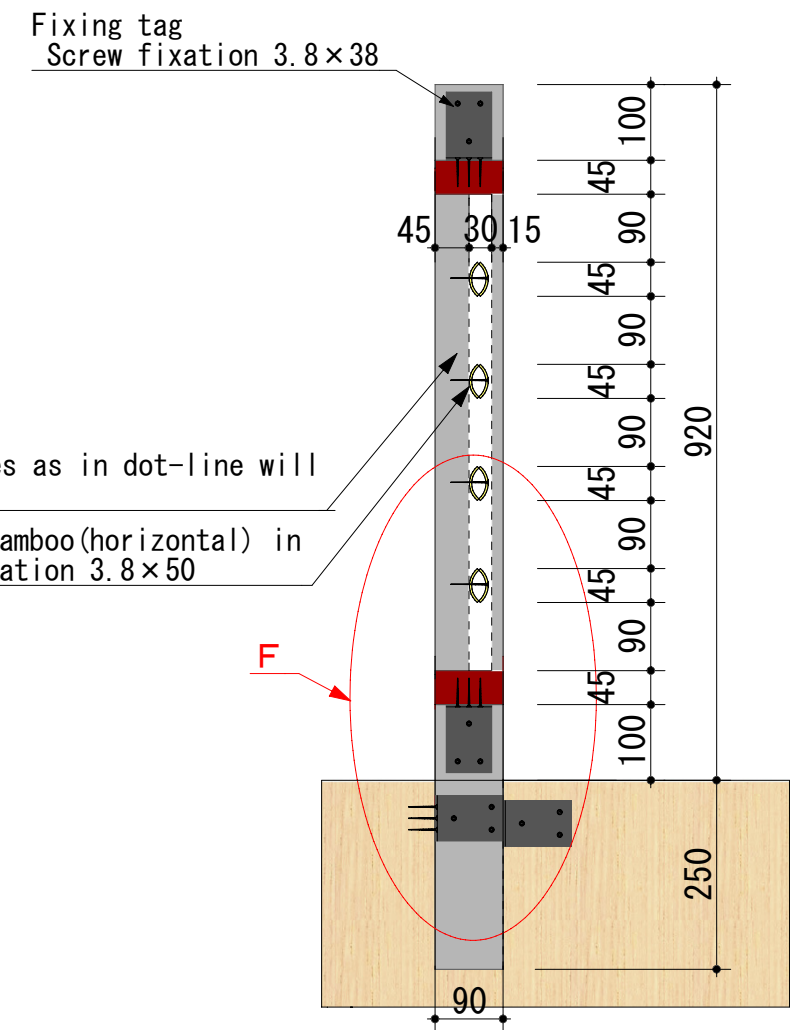


Process of cutting ditches (depth 15mm)
Install Bamboo (horizontal) in

Section F



Section B—B Scale: 1/10



Elevation view Scale: 1/20

